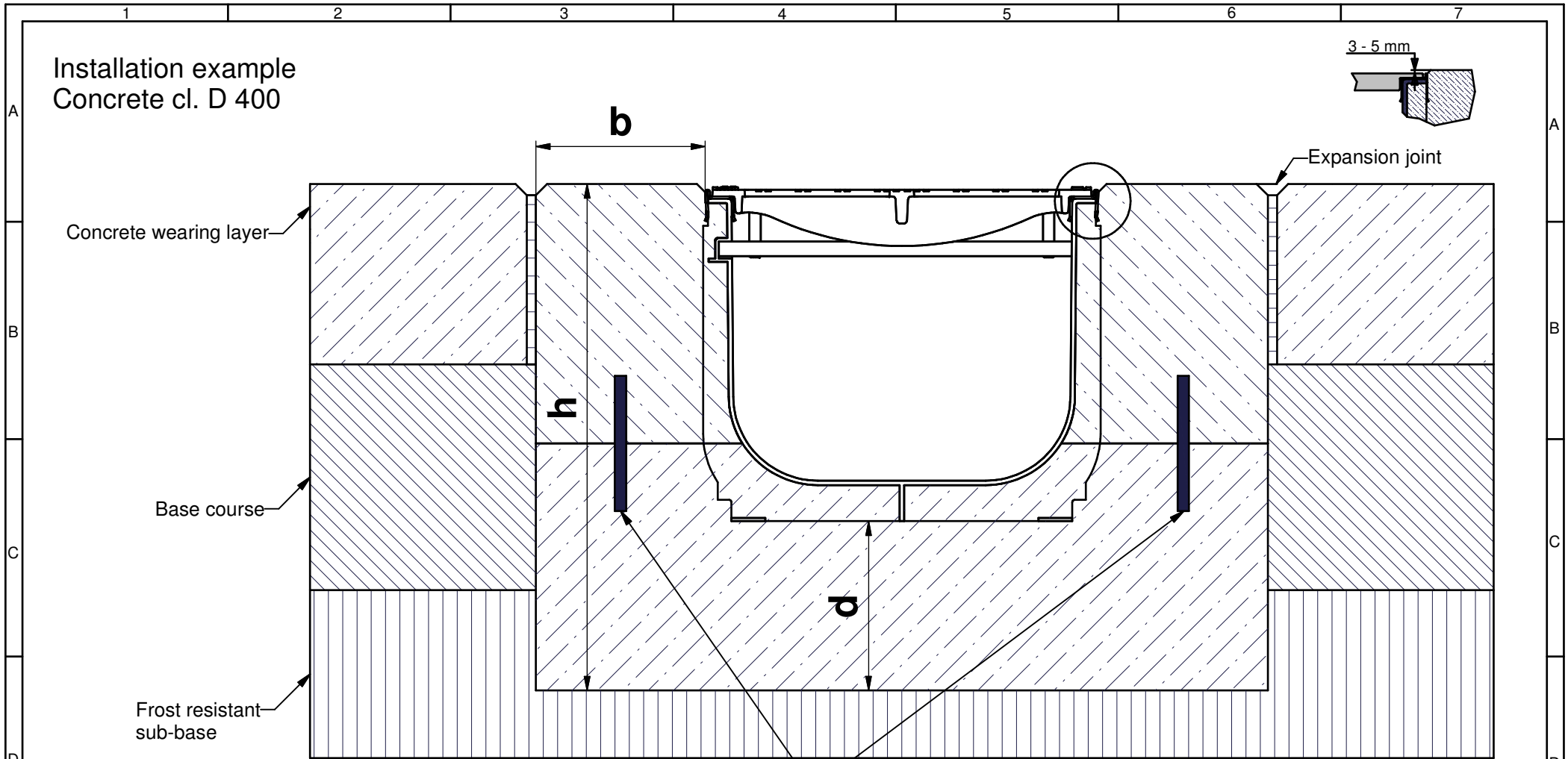


Installation example  
Concrete cl. D 400



\* h = Channel height plus overhang

Category according to EN 1433 / DIN V 19580	A 15	B 125	C 250	D 400**	E 600	F 900	Applying to following channel systems:  Concrete RECYFIX PLUS 100, 150, 200, 300
Foundation: with b / thickness d / height h (in cm)				15/15/*			
The named concrete quality is a minimum quality							
EN 206-1 / DIN 1045-2	without danger of frost on the lateral support		C 30/37 XF4				
	with danger of frost on the lateral support		C 25/30 XF1				
The installation examples / advise constantly are adapted to the technical conditions. With new editions older expenditures lose their validity. Before planning or installation please verify the current version at <a href="http://www.hauraton.com">www.hauraton.com</a>	Condition: 24.04.2007		Our general installation instructions apply.		Surface: Concrete		
	Description: RF-Plus-X-300 Typ 01_Einbau Klasse D 400 in Beton_GB						Werkstraße 13 76437 Rastatt Germany Tel. +49 (0) 72 22 9 58-0 Fax. +49 (0) 72 22 9 58-100 info@hauraton.com
	EDV-Name: C:\PDMWE\Inventor\2007\10\0\0000016471.idw						

\*\* In Class D 400 not for use across the carriageway of highways or motorways in moving traffic. For this application we recommend our channel systems FASERFIX TRAFFIC SUPERBLOC or FASERFIX TRAFFIC GUGIBLOC