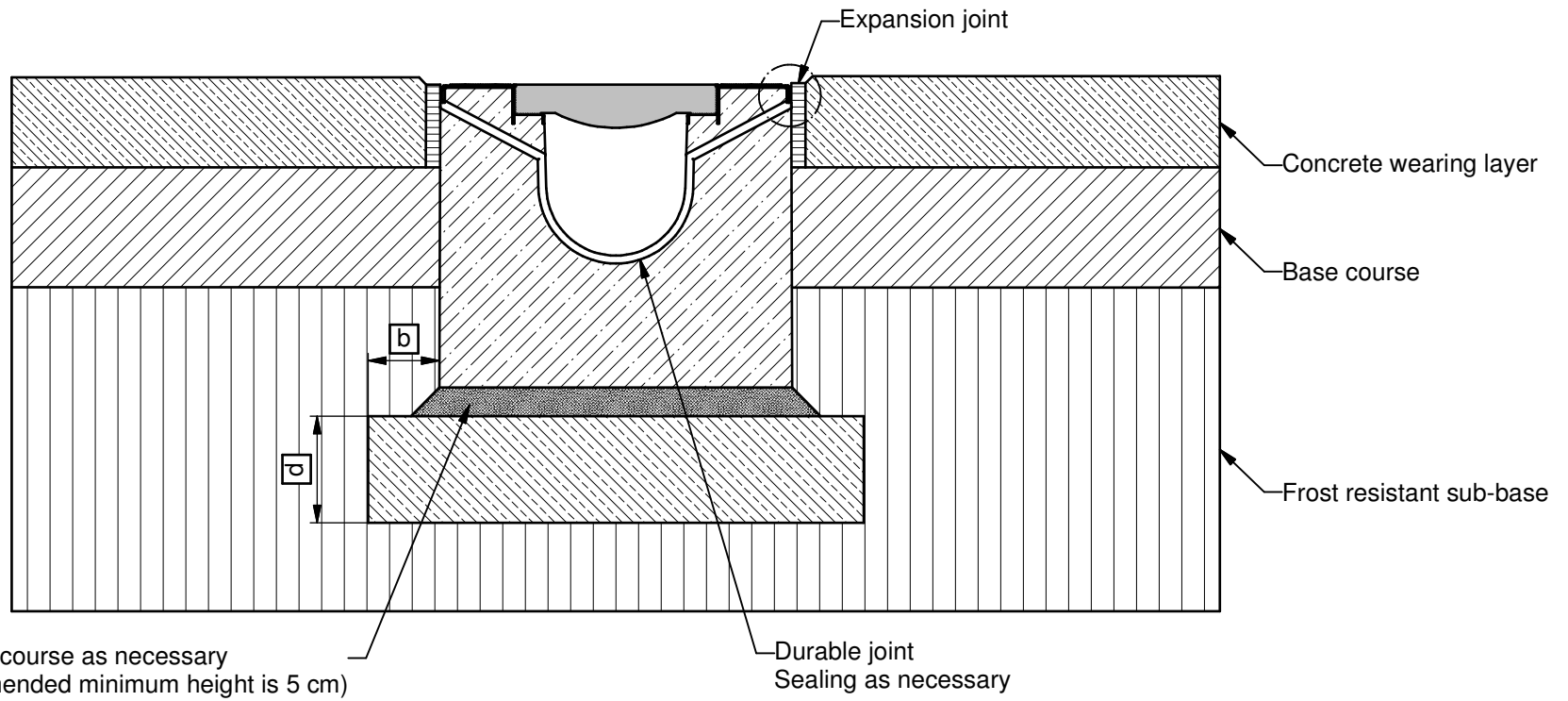
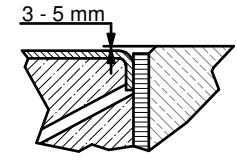


Installation example  
Concrete cl. D 400\*\* - F 900



\* not applicable Levelling course as necessary  
(Recommended minimum height is 5 cm)

Category according to EN 1433 / DIN V 19580	A 15	B 125	C 250	D 400**	E 600	F 900	Applying to following channel systems: FASERFIX BIG BL 150, 200 FASERFIX BIG SL 100, 150, 200, 300
Foundation: with b / thickness d / height h (in cm)				10 / 15 / *	10 / 15 / *	10 / 15 / *	
The named concrete quality is a minimum quality							
EN 206-1 / DIN 1045-2	without danger of frost on the lateral support			C 20/25	C 20/25	C 20/25	
	with danger of frost on the lateral support			C 25/30 XF1	C 25/30 XF1	C 25/30 XF1	

<p>The installation examples / advise constantly are adapted to the technical conditions. With new editions older expenditures lose their validity. Before planning or installation please verify the current version at <a href="http://www.hauraton.com">www.hauraton.com</a></p> <p>** In Class D 400 not for use across the carriageway of highways or motorways in moving traffic. For this application we recommend our channel systems FASERFIX TRAFFIC SUPERBLOC or FASERFIX TRAFFIC GUGIBLOC</p>	Condition: 22.02.2007	Our general installation instructions apply.	Surface: Concrete	<p>Werkstraße 13 76437 Rastatt Germany</p> <p>Tel. +49 (0) 72 22 9 58-0 Fax. +49 (0) 72 22 9 58-100 info@hauraton.com</p>
	Description: FF-BIG-S-200 SL Typ 01_Einbau Klasse F 900 in Beton_GB			
	Drawing-no.: C:\pdmwe\inventor\2007\05\0\0000014799.idw			